

Indoor single core termination-ELTI-1C

For polymeric cables - Slip-on termination - Modular type

C 33-001 - HD 629-1 - IEC 60502-4 - ANSI/IEEE 48

elasticfit

Medium Voltage (MV)
Up to 36 kV
MV Terminations



Product Application and Design

Utilisation

- Indoor.
- In boxes and compact switchgears.
- In terminal boxes located outdoor and subject to condensation.

Cables

- Single core polymeric insulation (PE, XLPE, EPR...).
- Copper or aluminium conductor.
- Semi-conducting screen either extruded or taped.
- Metallic screen of tape, wire or polylam type .
- Non-armoured or armoured (either tape or wire type).
- Insulation voltage up to 36 kV (U_m).
- Conductor sizes : 25 to 1 600 mm².

Packing

Supplied as a kit of 3 single terminations containing all the necessary components, except the lugs (supplied on request).

Shipping weight and volume (approx):

- 12 kV → 1.7 kg / 0.007 m³
- 17.5 kV → 1.7 kg / 0.007 m³
- 24 kV → 1.7 kg / 0.007 m³
- 36 kV → 2 kg / 0.01 m³

Other products

Indoor elastic terminations (monobloc) for 1/C polymeric cables up to 24 kV ELTImb-1C.

Outdoor elastic termination (modular) for 1/C polymeric cables up to 36 kV ELTO-1C.

Indoor and outdoor elastic terminations (modular) for 3/C polymeric cables up to 36 kV ELTI-3C, ELTO-3C.

Indoor and outdoor coldshrink termination for 1/C or 3/C cables up to 36 kV CDTI-1C, CDTI-3C, CDTO-1C, CDTO-3C.

Installation features

No need for special tools, no heating or filling.

Vertical, angled or inverted position.

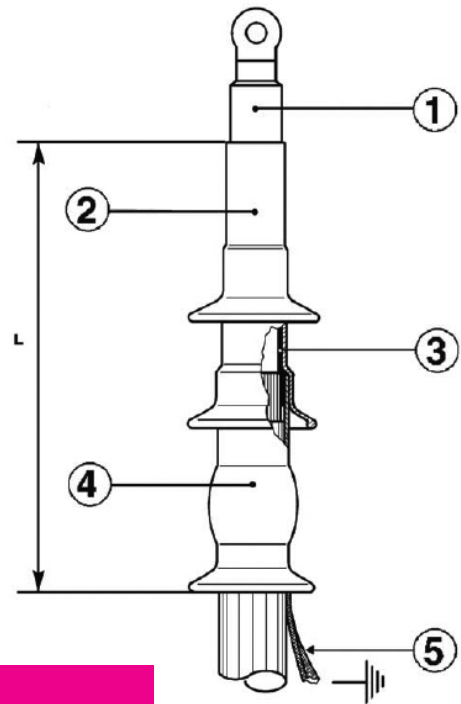
Energizing may take place immediately after completion of termination.

The different voltage levels are achieved by varying the number of sheds.

Modular components slipped over the cable using a special lubricant.

Description

- ① **Conductor lug**
Copper or aluminium. Crimped, deep indented or bolted type.
- ② **Insulation sheds**
Slip-on sheds, moulded from non-tacking silicone rubber.
- ③ **Stress relief tube**
Moulded elastic slip-on component. Controls the distribution of the electrical field at the cable screen cutback.
- ④ **Earth cover**
Slip-on component, moulded from non-tracking silicone rubber. Ensures watertight protection of the earthing.
- ⑤ **Earthing device**
Fitted as necessary, depending on cable design (T1-T2-T3) and on box or switchgear characteristics.



Selection guide

1- Select in both tables below the kit model corresponding to the insulation voltage and to the conductor size.

Conductor size in mm ² (for guidance only)	Kit reference			
	Highest Voltage U _m			
	12 kV	17,5 kV	24 kV	36 kV
25	ELTI-1C-12-A	ELTI-1C-17-B	ELTI-1C-24-B	ELTI-1C-36-C
35			ELTI-1C-24-C	
50	ELTI-1C-12-B		ELTI-1C-24-D	
70				
95	ELTI-1C-12-C	ELTI-1C-17-C	ELTI-1C-24-E	ELTI-1C-36-E
120				
150		ELTI-1C-17-D	ELTI-1C-24-F	ELTI-1C-36-F
185				
240	ELTI-1C-12-D	ELTI-1C-17-E	ELTI-1C-24-F	ELTI-1C-36-F
300				
400	ELTI-1C-12-E	ELTI-1C-17-F	ELTI-1C-24-F	ELTI-1C-36-F
500				
630	ELTI-1C-12-E	ELTI-1C-17-F	ELTI-1C-24-F	ELTI-1C-36-F
800				
1 000	ELTI-1C-12-E	ELTI-1C-17-F	ELTI-1C-24-F	ELTI-1C-36-F
1 300				
1 600	ELTI-1C-12-E	ELTI-1C-17-F	ELTI-1C-24-F	ELTI-1C-36-F

2- Select suitable earthing device in the table below.

Earthing Device Reference	Type of Metallic Screen of Cable
T1	polylam
T2	Copper tapes
T3	Copper wires

Example of order

1x95 mm², 20 kV single cable, insulation diameter 23.5 mm, copper wire screen : **ELTI-1C-24-C-T3**.

Recommended dimensions for elastic components

Model	Ø over Cable Insulation	
	Min in mm	Max in mm
A	13	22
B	15,5	26
C	20	33
D	26	43
E	36	61
F	49,5	80

Overall dimensions

Voltage U _m	12 kV	17,5 kV	24 kV	36 kV
L mm (approx.)	320	320	320	450